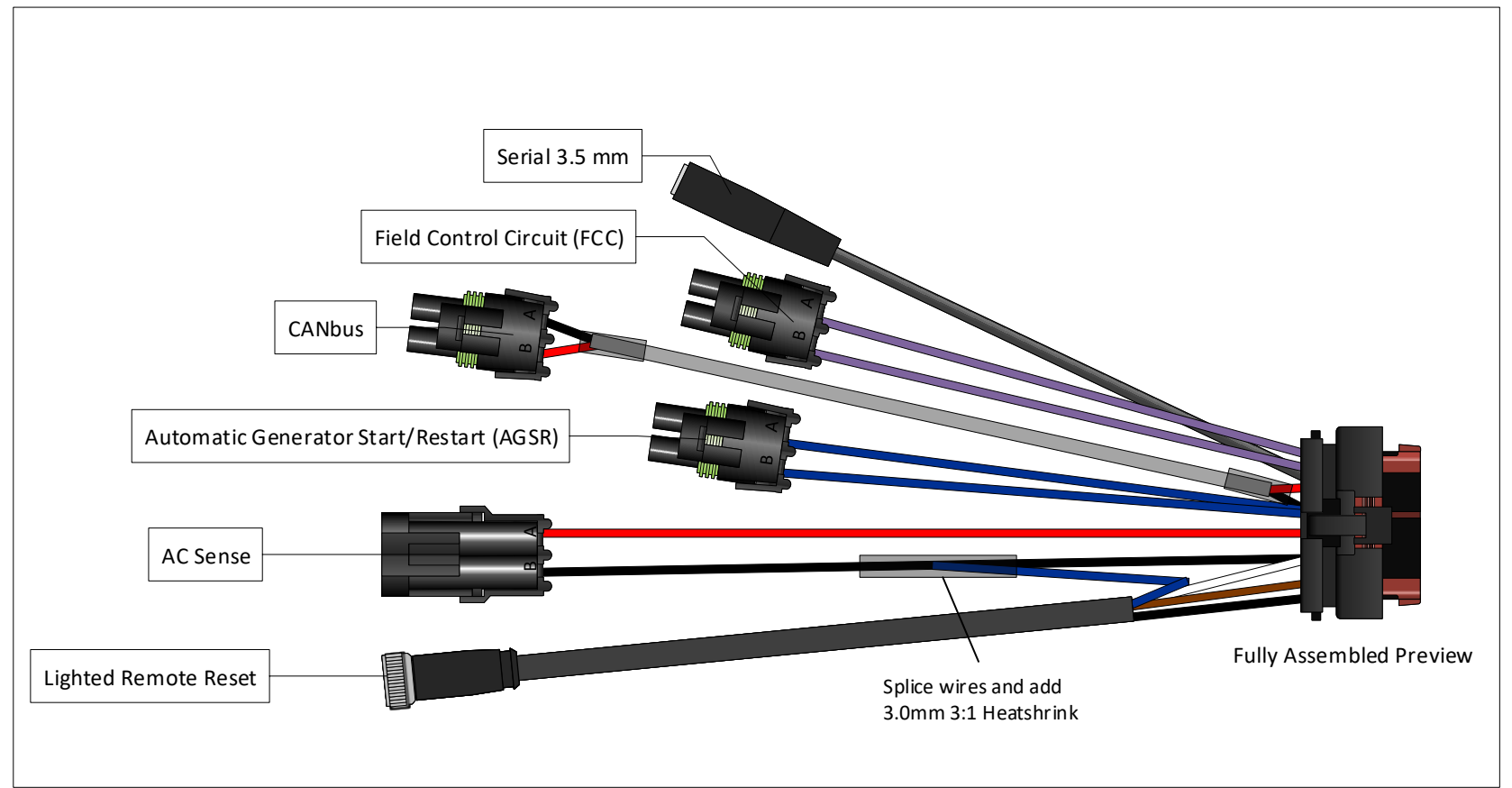
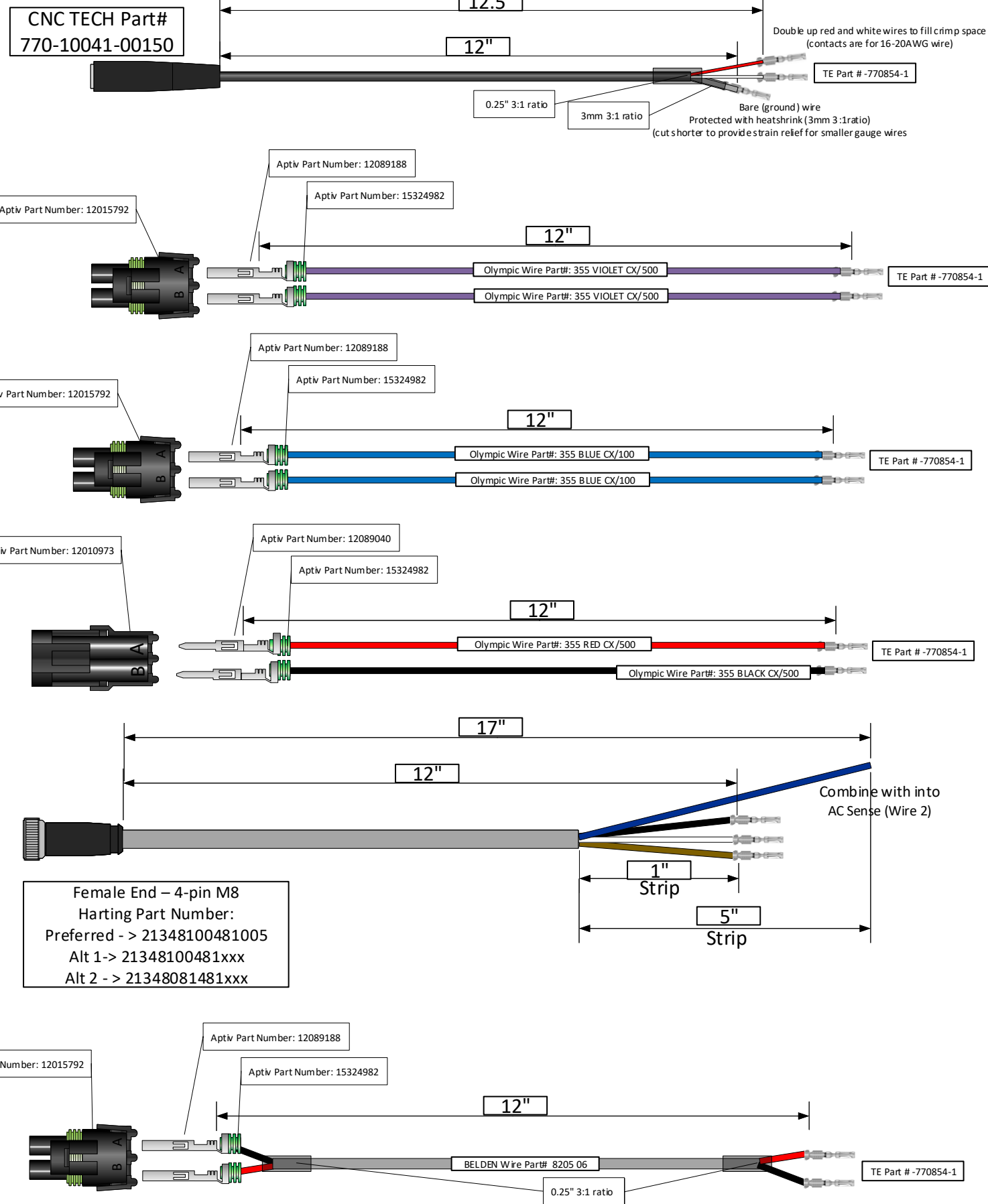
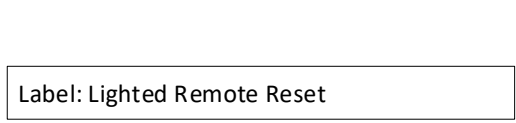


PIN #	Support Codes	Shared Pins
1	FCC (Wire 1) - F	
2	AGSR (Wire 1) - A	
3	AGSR (Wire 2) - A	
4		
5		
6		
7	AC Sense (Wire 1) - E	
8	AC Sense (Wire 2) - E	Remote Light (Wire 2) - B
9	FCC (Wire 2) - F	
10	CANbus (Wire 1) - C	
11	Serial - UART (Wire 1) - S	
12		
13	Remote Light (Wire 1) - B	
14		
15	Remote Reset (Wire 2) - R	
16		
17	CANbus (Wire 2) - C	
18	Serial - UART (Wire 2) - S	
19	Serial - UART (Wire 3) - S	Bare Wire w/ Black Heatshrink
20		
21		
22		
23	Remote Reset (Wire 1) - R	



Labels to consist of white heat shrink with black font placed by Aptiv connector ends



11	Serial - UART (Wire 1) - S	
18	Serial - UART (Wire 2) - S	
19	Serial - UART (Wire 3) - S	Bare Wire w/ Black Heatshrink

1	FCC (Wire 1) - F	
9	FCC (Wire 2) - F	

2	AGSR (Wire 1) - A	
3	AGSR (Wire 2) - A	

7	AC Sense (Wire 1) - E	
8	AC Sense (Wire 2) - E	

8	Remote Light (Wire 2) - B	
13	Remote Light (Wire 1) - B	
15	Remote Reset (Wire 2) - R	
23	Remote Reset (Wire 1) - R	

10	CANbus (Wire 1) - C	
17	CANbus (Wire 2) - C	

DATE		PROJECT	
1/18/19		Corporate - 23-pin Harness	
DRAWN	AQS	DWG TITLE	DWG NO
REVIEWED		75-H2FAECSBR	PART NO
APPROVED			SHEET
<small>PROPRIETARY AND CONFIDENTIAL</small> <small>THE INFORMATION CONTAINED IN THIS DRAWING IS THE SOLE PROPERTY OF LITHIONICS BATTERY 1770CALUMET ST, CLEARWATER, FL 34615</small> <small>ANY PARTY RECEIVING THIS DOCUMENT DOES SO IN CONFIDENCE AND AGREES THAT IT SHALL NOT BE REPLICATED IN WHOLE OR IN PART, NOR DISCLOSED TO OTHERS, WITHOUT THE CONSENT OF LITHIONICS BATTERY.</small>			REV
		1 OF 1	0