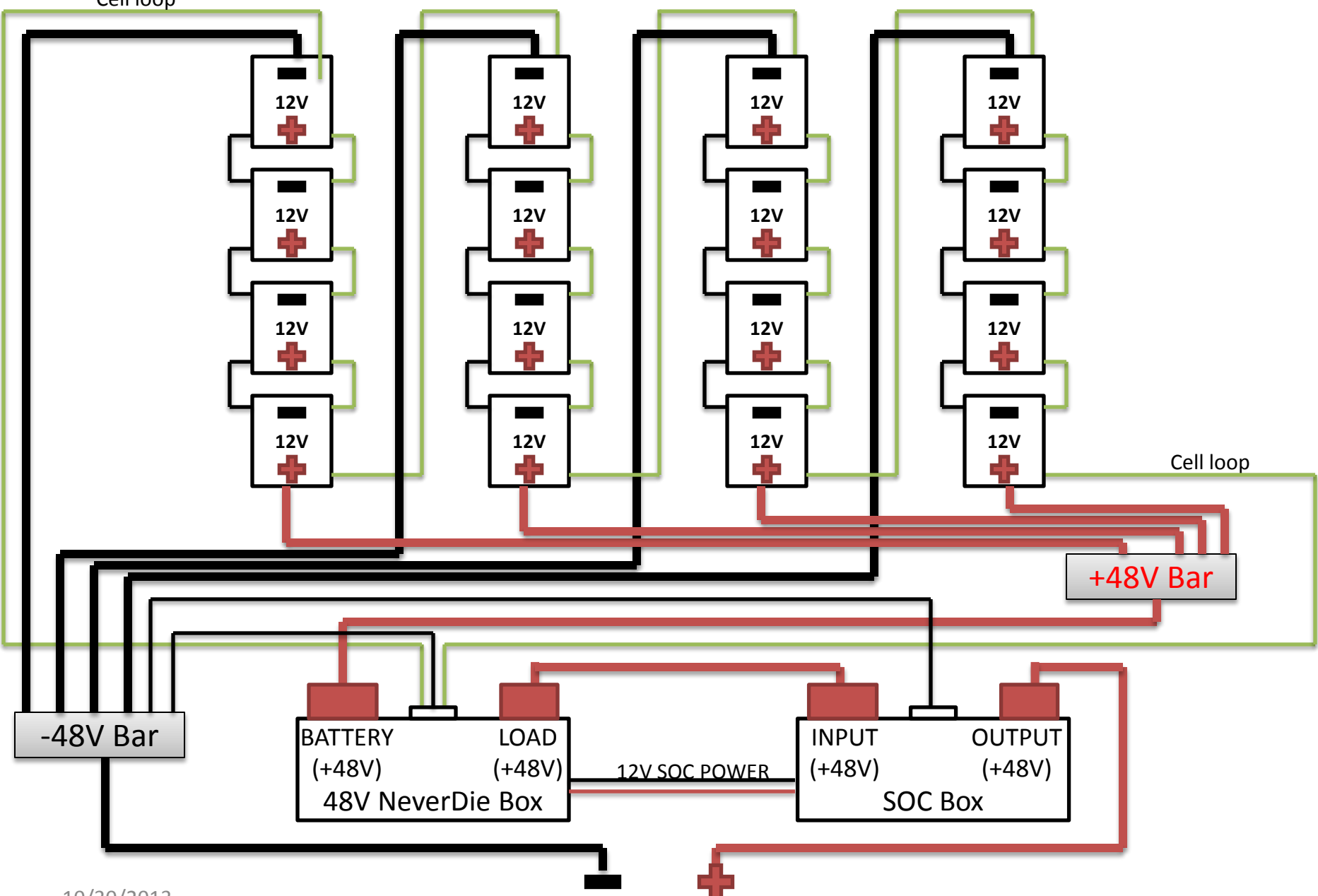


# 48V Parallel Battery System



Cell loop

Cell loop

+48V Bar

-48V Bar

BATTERY (+48V)  
LOAD (+48V)  
48V NeverDie Box

INPUT (+48V)  
OUTPUT (+48V)  
SOC Box

12V SOC POWER

48V

Discharge and Charge Connection Point

10/30/2013  
DWG-NM  
CHK-CH